

Elmer's
MANUFACTURING

TRANSFER
TRACKS

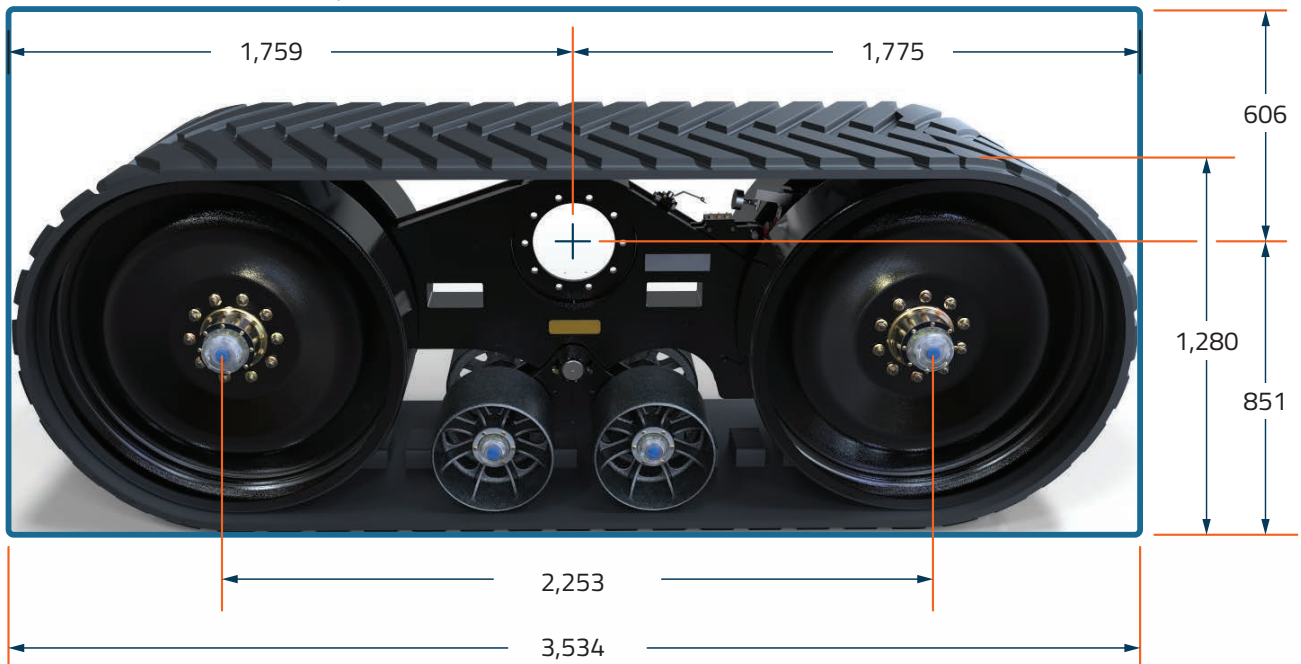


PROUDLY DISTRIBUTED BY
WARINGA 

IS MY EQUIPMENT COMPATIBLE WITH TRANSFER TRACKS?

ELMER'S TRANSFER TRACKS FIT A WIDE RANGE OF 10 BOLT HUBS BARRING THE EXISTING HARDWARE HAS THE REQUIRED STRENGTH & THERE IS ENOUGH OPERATING CLEARANCE. TRANSFER SHOULD TAKE 30 MINUTES.

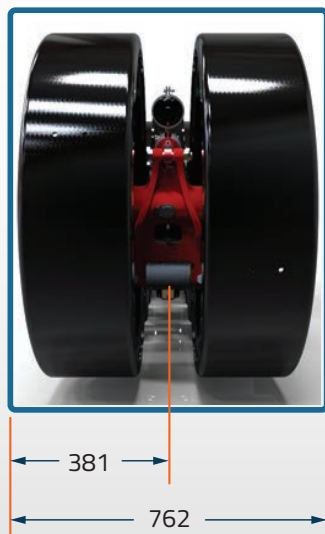
EQUIPMENT MUST CLEAR BLUE LINE



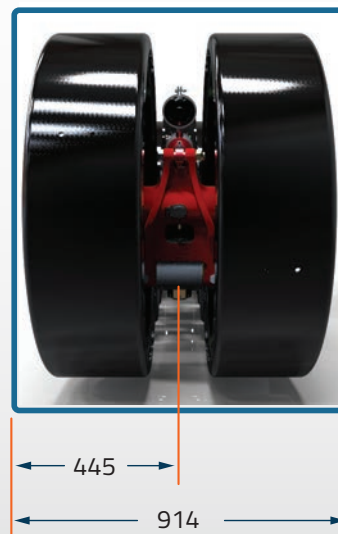
MOUNTS TO STANDARD 10 BOLT AG HUB

- Ø19.05mm - 22.23mm x 10 Bolt Circle - 334.96mm diameter
- 280.99mm Pilot
- 25.4mm Thick Plate

30" TRACK



36" TRACK



Known to fit most equipment. Air seeders may require minor modifications. All equipment is different. Some equipment may require small or large modifications to allow Transfer Tracks to fit. We recommend contacting our Sales Team to discuss your options. All measurements above are in millimetres.

WHAT MAKES ELMER'S TRANSFER TRACKS SO GREAT?

ELMER'S TRANSFER TRACKS ALLOWS YOU TO EASILY ADAPT YOUR EXISTING EQUIPMENT TO INCREASE FLOATATION & REDUCE COMPACTION. THE ADAPTABILITY OF TRANSFER TRACKS ALLOWS FOR QUICK CHANGE OVER BETWEEN EQUIPMENT FOR YEAR-ROUND USE.



- 01 INCREASED FLOATATION**
Compared to 900/60R32 Hi-Flotation Wheels, Transfer Tracks offer 3x more floatation, reducing compaction problems. Reducing compaction and resistance can lead to a better seed bed, yields and fuel savings.
- 02 TRANSFERABILITY**
Transfer Tracks can be transferred to compatible equipment in 30 minutes with basic tools and a fork lift. Use them on your air cart in autumn and your chaser bin during harvest.
- 03 REDUCED COMPACTION**
Using Transfer Tracks can improve soil penetration, create a more uniform seed depth placement, improve water infiltration and help develop a healthier root system.
- 04 LESS RESISTANCE**
Transfer Tracks have been shown to reduce fuel consumption by reducing the pulling resistance on your implement. Hydraulic tensioning maintains alignment and the 4 way pivoting mid rollers help distribute weight, making for a smoother ride.



ELMER'S TRANSFER TRACKS SPECIFICATIONS

SPECIFICATION	TRACK SIZE 30"	TRACK SIZE 36"
TRACK SIZE	823cm x 76.2cm	823cm x 91.5cm
SURFACE AREA ON GROUND	17,155cm ²	20,600cm ²
MAXIMUM CAPACITY	15T/track	18.15T/track
WEIGHT	2.080T/track	2.150T/track
IDLER WHEEL DIAMETER	116.8cm	116.8cm
MID ROLLER DIAMETER	40.64cm	40.64cm

OPTIONAL EXTRAS	TRACK SIZE 30"	TRACK SIZE 36"
UNIVERSAL CHAIN DRIVE KIT	✓	✓
JD1910 CHAIN DRIVE KIT	✓	✓
POWER TRACKS	✓	✓
BRAKES	✓	✓
MUD SCRAPER	✓	✓

PROUDLY DISTRIBUTED BY
WARINGA 

YOUR LOCAL ELMER'S DEALER

INFO@WARINGA.COM.AU
 08 6154 5999
 WARINGA.COM.AU